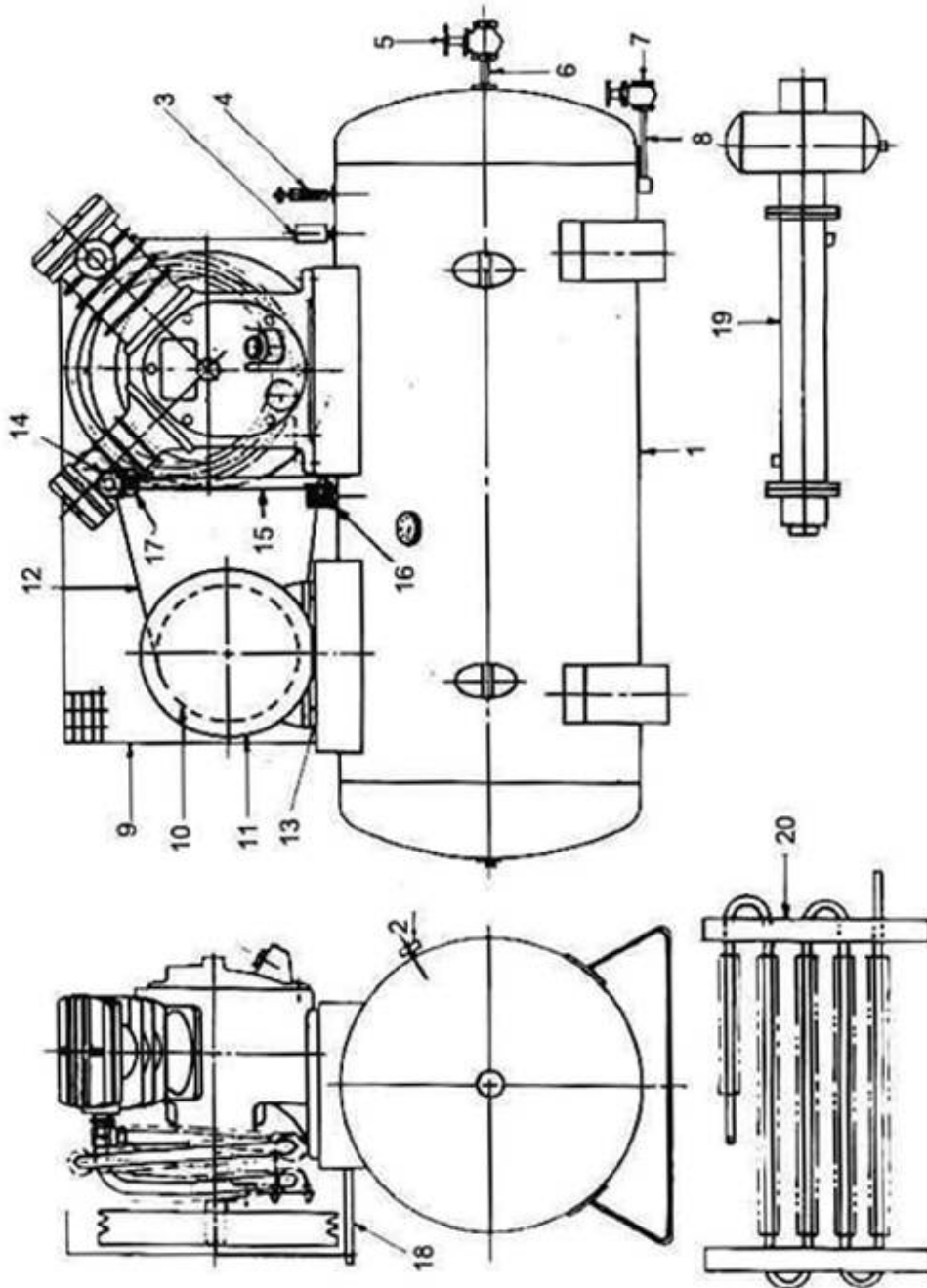


5. Compressor Drive and Accessories - Model 242



All manufacturer's names, numbers, photos, product description and/or part numbers are used for reference purposes only & it is not implied that any part listed is the product of these manufacturers. Since Approvement are made from time to time, the illustration and specifications are subject to change without notice.

5. Compressor Drive and Accessories - Model 242

Ref. Nbr.	Part Number	Description	Qty. per Assy.	Rec. Spares		
				1	2	3
5-1	94464120	Air Receiver 175 Ltr.Max W.PR. 175	1			
5-1	94464161	Air Receiver 175 Ltr.Max W.PR. 270	1			
5-1	97056113	Air Receiver 225 Ltr.Max W.PR. 175	1			
5-1	97056121	Air Receiver 225 Ltr.Max W.PR. 270	1			
5-2	95736922	Pressure Gauge 0-300 PSIG	1			
5-3	94465176	PR. Switch Up To 135 PSIG	1			
5-3	94465184	PR. Switch Above 135 PSIG	1			
5-4	72062078	Safety Valve	1			
5-5	95081048	Service Valve 1/2"	1			
5-6	95062600	Nipple Pipe 1/2"	1			
5-7	95081022	Drain Valve 1/4"	1			
5-8	95736542	Nipple Pipe 1/4"	1			
5-9	97044556	Belt Guard	1			
5-10	97043590	Motor Pulley For 866 RPM	1			
5-10	97043608	Motor Pulley For 855 RPM	1			
5-10	97043772	Motor Pulley For 960 RPM	1			
5-10	97054779	Motor Pulley For 960 RPM	1			
5-11	97055800	Motor Elec.5 HP	1			
5-11	97051742	Motor Elec.7.5 HP	2			
5-12	97044283	"V" Belts A76	2			
5-12	97044283	"V" Belts A78	2			
5-13	97044127	Slide Rail 14 Inch	2			
5-14	95031761	Elbow Tube	2			
5-15	97045454	Pipe Discharge	1			
5-16	37047773	Check Valve	1			
5-17	95108577	Nut Connector	2			
5-18	97043329	Distance Piece Belt Guard	2			
		Optional Equipment				
5-19	97045546	Water Cooled After Cooler With M.S.	1			
5-20	97045645	Air Cooled After Cooler	1			
5-15	97045454	Pipe Discharge	1			
5-16	37047773	Check Valve	1			
5-17	95108577	Nut Connector	2			
5-18	97043329	Distance Piece Belt Guard	2			
		Optional Equipment				
5-19	97045546	Water Cooled After Cooler With M.S.	1			
5-20	97045645	Air Cooled After Cooler	1			